



**XLED 590**

**PR-8100**

This product manual contains important information about the safe installation and use of this projector. Please read and follow these instructions carefully and keep this manual in a safe place for future reference.

PR LIGHTING LTD.  
<http://www.pr-lighting.com>

## INDEX

SAFE USAGE OF THE PROJECTOR	3
INSTALLING THE PROJECTOR	4
POWER SUPPLY – MAINS	4
CONTROL CONNECTIONS	4
DMX TERMINATOR	5
SETUP OPTIONS-PROJECTOR CONFIGURATION	6
TO SET THE DMX START ADDRESS	6
OPERATION MENU	7
DMX PROTOCOL	12
LED INDICATION	13
MAINTENANCE	13
KEEPING THE PROJECTOR CLEAN	13
TROUBLESHOOTING	13
TECHNICAL DATA	14
ELECTRICAL DIAGRAM	16
COMPONENT ORDER CODES	17

Please note that as part of our ongoing commitment to continuous product development, specifications are subject to change without notice. Whilst every care is taken in the preparation of this manual we reserve the right to change specifications in the course of product improvement. The publishers cannot be held responsible for the accuracy of the information herein, or any consequence arising from them.

Every unit is tested completely and packed properly by the manufacturer. Please make sure the packing and / or the unit are in good condition before installation and use. Should there be any damage caused by transportation, consult your dealer and do not use the unit. Any damage caused by improper use will not be assumed by the manufacturer and / or dealer.

## ACCESSORIES

These items are packed together with the projector:

Name	Quantity	Unit	Remark
G clamps	2	Pcs	
Ω clamps	2	Pcs	Options
XLR cable	1	Pc	5-pin plug
Safety cord	1	Pc	
This manual	1	Pc	

## SAFE USAGE OF THE PROJECTOR

When unpacking and before disposing of the carton, check there is no transportation damage before using the projector. Should there be any damage caused by transportation, consult your dealer and do not use the apparatus.

The projector is for indoor use only, IP20. Use only in dry locations. Keep this device away from rain and moisture, excessive heat, humidity and dust. Do not allow contact with water or any other liquids.

The projector is not designed or intended to be mounted directly on to inflammable surfaces.



The projector is only intended for installation, operation and maintenance by qualified personnel.

The projector must be installed in a location with adequate ventilation, at least 50cm from adjacent wall surfaces. Be sure that no ventilation slots are blocked.

Do not project the beam onto inflammable surfaces, minimum distance is 5m. ⚠ 5m ⚠

Avoid direct exposure to the light from the lamp. The light is harmful to the eye.

Do not attempt to dismantle and/or modify the projector in any way.

Electrical connection must only be carried out by qualified personnel.

Before installation, ensure that the voltage and frequency of power supply match the power requirements of the projector.

It is essential that each projector is correctly earthed and that electrical installation conforms to all relevant standards.

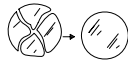
Do not connect this device to any other types of dimmer apparatus.

Make sure that the power-cord is never crimped or damaged by sharp edges. Never let the power-cord come into contact with other cables. Only handle the power-cord by the plug. Never pull out the plug by tugging the power-cord.

Keep the optical system clean. Do not touch the LED lens with bare hands.

The projector should always be installed with a secondary safety fixing. On the projector base brink, there is a hole for the safety cord provided. It should be attached as shown in "installing the projector" section.

LED lens shall be changed if they have become visibly damaged to such an extent that their effectiveness is impaired, for example by cracks or deep scratches.



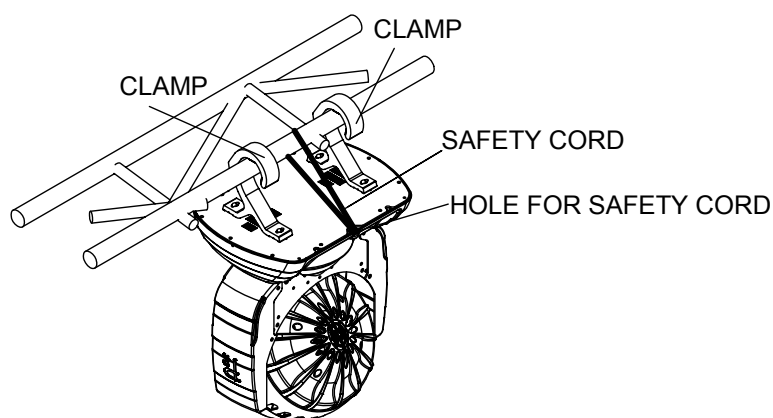
Exterior surface temperatures of the luminaire after 5 minutes operation is 40°C, when steady state is achieved 50°C.

There is no user serviceable parts inside the projector, do not open the housing and never operate the projector with the covers removed.

**Always disconnect from the mains, when the device is not in use or before cleaning it or before attempting any maintenance work !**

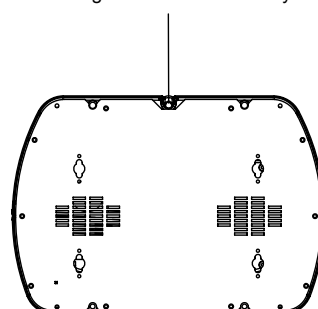
If you have any questions, don't hesitate to consult your dealer or manufacturer.

## INSTALL THE PROJECTOR



### ⚠ WARNING

To pass the SAFETY CORD through this HOLE for safety !



Take 2 clamps and the safety cord out from the package and mount 2 clamps on the underside of fixture with 4 retainers attached to each clamp. Hang the fixture on the structure and fasten the screws attached to each clamp. (See the **WARNING** on the bottom side of the fixture base as shown above) **To pass the SAFETY CORD through this HOLE for safety!** Always ensure that the projector is firmly anchored to avoid vibration and slipping whilst functioning. Always ensure that the structure that you are going to mount the projector on is secure and is strong enough to support a weight of XLED 590.

#### WARNING:

1. The projector **MUST NOT** be lifted or carried by the clamps.
2. For safety reasons, the safety cord should afford 10 times of the unit's weight.

## POWER SUPPLY-MAINS

Connect the power cord as follows:

- L (live) =brown
- E (earth) =yellow/green
- N (neutral) =blue

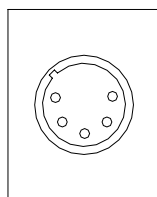
Use the plug provided to connect the mains power to the projector paying attention to the voltage and frequency marked on the panel of the projector. It is recommended that each projector be supplied separately so that they may be individually switched on and off.

#### IMPORTANT

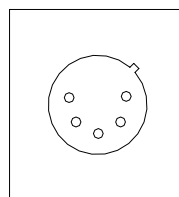
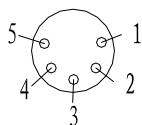
It is essential that each projector is correctly earthed and the electrical installation conforms to all relevant standards.

## CONTROL CONNECTION

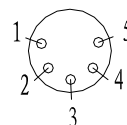
5-PIN



DMX OUT



DMX IN



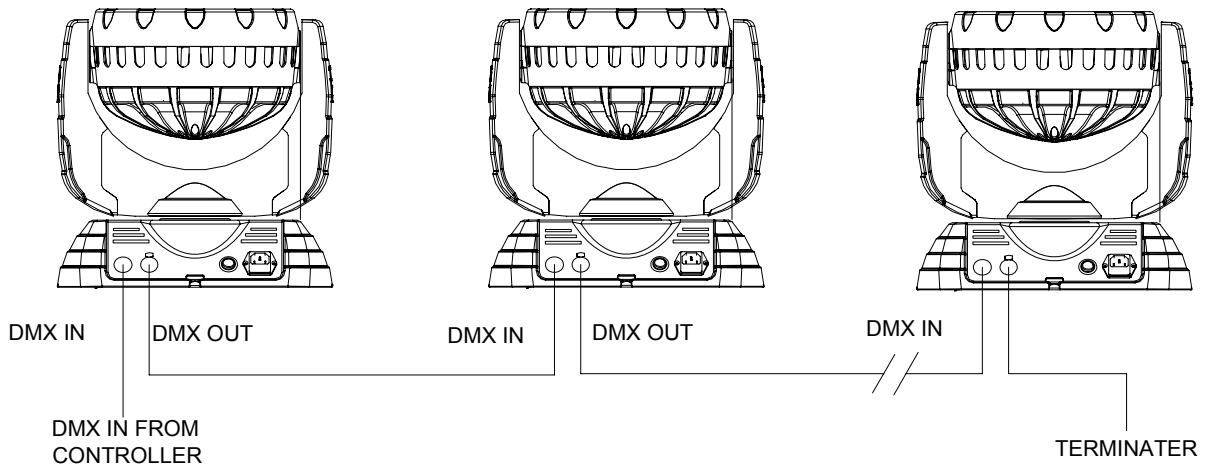
DMX 512	
PIN	FUNCTION
1	GND
2	DATA-
3	DATA+
4	N/C
5	N/C

Connection between the controller and a projector and between one projector and another must be made with a 2 core-screened cable, with each core having at least a 0.5mm diameter. Connection to and from the projector is via

cannon 5 pin (which are included with the projector) XLR plugs and sockets. The XLR's are connected as shown in the figure above.

Note: Care should be taken to ensure that none of the pins touch the metallic body of the plug or each other. The body of the plug is not connected in any way. The XLED 590 accepts digital control signals in protocol DMX512 (1990).

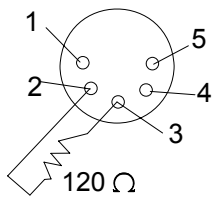
Connect the controller's output to the first fixture's input, and connect the first fixture's output to the second fixture's input and connect the rest fixtures in the same way. Eventually connect the last fixture's output to a DMX terminator as shown in the figure below.



## DMX TERMINATOR

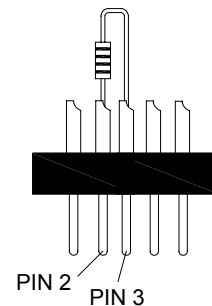
In the Controller mode, at the last fixture in the chain, the DMX output has to be connected with a DMX terminator. This prevents electrical noise from disturbing and corrupting the DMX control signals.

The DMX terminator is simply an XLR connector with a  $120\Omega$  (ohm) resistor connected across pins 2 and 3, which is then plugged into the output socket on the last projector in the chain. The connections are illustrated below.

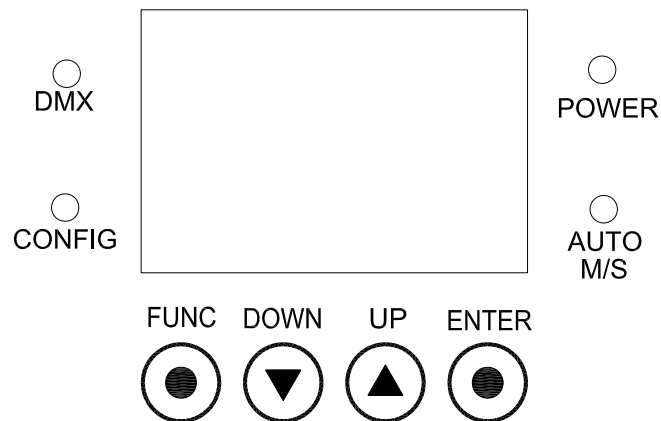


### DMX TERMINATOR CONNECTION

Connect a  $120\Omega$  (OHM) resistor across pins 2 and 3 in an XLR plug and insert it into the DMX out socket on the last unit in the chain.



## SETUP OPTIONS-PROJECTOR CONFIGURATION



Projector configuration can be set conveniently via push-button switch and LCD display. Turn the projector on and the LCD display will show the DMX address you set and saved last time and it can be reset and saved again as you please. Launch the projector and press button **ENTER** for more than 5 seconds to unlock the panel, the LCD will show the function menu of the projector, each main menu has its submenus and each submenu has a specific function. For details, please see the “OPERATION MENU” section.

Press button **UP** or **DOWN** if you want to browse through the various Setup Options. Press button **ENTER** to save your settings or enter the next menu. Press button **UP** or **DOWN** to shift.

Press button **FUNC**, it will return to the upper menu one by one. If you stay for minutes, it will show display status automatically.

## TO SET THE DMX START ADDRESS

Each XLED 590 must be given a DMX start address so that the correct projector responds to the correct control signals. This DMX start address is the channel number from which the projector starts to “listen” to the digital control information being sent out from the controller. The XLED 590 has 3 DMX modes, which are standard mode, extended mode and short mode. For example, the standard mode has 13 channels, so set the No. 1 projector’s address 001, No. 2 projector’s address 014, No. 3 projector’s address 027, No. 4 projector’s address 040, and so on.

Launch the projector. Press button **ENTER** for more than 5 seconds to unlock the panel.

Press button **ENTER** to display DMX Address;

Press button **UP** and **DOWN** to set the address;

Press button **ENTER** to confirm. At the same time, the GREEN LED will flash one time. It means the setting has been enabled.

Press button **FUNC**, it will return to the upper menu one by one.

## OPERATION MENU

1st LEVEL	2nd LEVEL	3rd LEVEL	4th LEVEL	5th LEVEL	6th LEVEL	
PR LIGHTING DMX Address	PR LIGHTING DMX Address XXX					
PR LIGHTING Reset	PR LIGHTING Reset Are You Sure					
PR LIGHTING Config Settings	PR LIGHTING DMX Mode	PR LIGHTING DMX Mode Standard 16				
		PR LIGHTING DMX Mode Extended 16				
		PR LIGHTING DMX Mode Short 8				
	PR LIGHTING Loss of DMX	PR LIGHTING When DMX is Lost Normal Time Out				
PR LIGHTING When DMX is Lost Hold Last Value						
PR LIGHTING Option Settings	PR LIGHTING Pan DMX Invert	PR LIGHTING Pan DMX Invert OFF				
		PR LIGHTING Pan DMX Invert ON				
	PR LIGHTING Tilt DMX Invert	PR LIGHTING Tilt DMX Invert OFF				
		PR LIGHTING Tilt DMX Invert ON				
	PR LIGHTING Pan Tilt Swap	PR LIGHTING Pan Tilt Swap OFF				
		PR LIGHTING Pan Tilt Swap ON				
	PR LIGHTING Dimmer Invert	PR LIGHTING Dimmer Invert OFF				
		PR LIGHTING Dimmer Invert ON				
	PR LIGHTING Defaults	PR LIGHTING Defaults Off				
		PR LIGHTING Defaults Restore Defaults				
	PR LIGHTING Display Mode		PR LIGHTING Display On Always			
			PR LIGHTING Display Off After Delay			

PR LIGHTING Display Options	PR LIGHTING Display Invert	PR LIGHTING Display Invert Off				
		PR LIGHTING Display Invert On				
	PR LIGHTING Display Dimming	PR LIGHTING Disp Dim Level X				
	PR LIGHTING Display Contrast	PR LIGHTING Display Contrast XX				
PR LIGHTING Information	PR LIGHTING LED Hours	PR LIGHTING LED Hours = *****				
	PR LIGHTING Power On Hours	PR LIGHTING Power On Hours = *****				
	PR LIGHTING Temperature	PR LIGHTING Driver Board	PR LIGHTING Driver Board = XX°C			
		PR LIGHTING Head Sensor	PR LIGHTING Head Sensor = XX°C			
	PR LIGHTING Software Version	PR LIGHTING Display Board	PR LIGHTING Display Board = ***			
	PR LIGHTING View DMX Values	PR LIGHTING DMX Channel XXX= XXX				
	PR LIGHTING Electronic SN	PR LIGHTING Electronic SN = *****				
PR LIGHTING Test Modes	PR LIGHTING Factory Setup	PR LIGHTING Factory Setup OFF				
		PR LIGHTING Factory Setup ON (Or press buttons UP , DOWN and ENTER to enter Calibration Menu)	PR LIGHTING Calibration Menu Red	PR LIGHTING Calibration Menu Red XX		
			PR LIGHTING Calibration Menu Green	PR LIGHTING Calibration Menu Green XX		
			Calibration Menu Blue	PR LIGHTING Calibration Menu Blue XX		
	PR LIGHTING Self Test	PR LIGHTING Self Test OFF				
		PR LIGHTING Self Test ON				



	PR LIGHTING Operation Mode = DMX Operation					
PR LIGHTING Operation Mode	PR LIGHTING Operation Mode = Master Mode	PR LIGHTING Select Memory User Memory 1				
		PR LIGHTING Select Memory User Memory 2				
		PR LIGHTING Select Memory Preset Memory 1				
		PR LIGHTING Select Memory Preset Memory 2				
		PR LIGHTING Select Memory Preset Memory 3				
	PR LIGHTING Operation Mode = Slave Mode	PR LIGHTING Select Memory User Memory 1				
		PR LIGHTING Select Memory User Memory 2				
		PR LIGHTING Select Memory Preset Memory 1				
		PR LIGHTING Select Memory Preset Memory 2				
		PR LIGHTING Select Memory Preset Memory 3				
	PR LIGHTING Operation Mode = Static Scene					
					PR LIGHTING Dimmer XXX	PR LIGHTING Dimmer XXX
					PR LIGHTING Color Temp.	PR LIGHTING Color Temp. XXX
					PR LIGHTING RGB Macros	PR LIGHTING RGB Macros XXX
					PR LIGHTING Red	PR LIGHTING Red XXX
				PR LIGHTING Green	PR LIGHTING Green XXX	
				PR LIGHTING Blue	PR LIGHTING Blue XXX	
				PR LIGHTING Strobe	PR LIGHTING Strobe XXX	

PR LIGHTING User Memories	PR LIGHTING Edit User Memory	PR LIGHTING User Memory 1	PR LIGHTING Scene XX	PR LIGHTING Pan Coarse	PR LIGHTING Pan Coarse XXX
				PR LIGHTING Pan Fine	PR LIGHTING Pan Fine XXX
				PR LIGHTING Tilt Coarse	PR LIGHTING Tilt Coarse XXX
				PR LIGHTING Tilt Fine	PR LIGHTING Tilt Fine XXX
				PR LIGHTING M-Speed	PR LIGHTING M-Speed XXX
				PR LIGHTING Delay	PR LIGHTING Delay X.XX Seconds
				PR LIGHTING Link To Step	PR LIGHTING Link To Step XX
	PR LIGHTING Edit User Memory	PR LIGHTING User Memory 2	PR LIGHTING Scene XX	PR LIGHTING Dimmer	PR LIGHTING Dimmer XXX
				PR LIGHTING Color Temp.	PR LIGHTING Color Temp. XXX
				PR LIGHTING RGB Macros	PR LIGHTING RGB Macros XXX
				PR LIGHTING Red	PR LIGHTING Red XXX
				PR LIGHTING Green	PR LIGHTING Green XXX
				PR LIGHTING Blue	PR LIGHTING Blue XXX
				PR LIGHTING Strobe	PR LIGHTING Strobe XXX
PR LIGHTING Edit User Memory	PR LIGHTING User Memory 2	PR LIGHTING Scene XX	PR LIGHTING Pan Coarse	PR LIGHTING Pan Coarse XXX	
			PR LIGHTING Pan Fine	PR LIGHTING Pan Fine XXX	
			PR LIGHTING Tilt Coarse	PR LIGHTING Tilt Coarse XXX	
			PR LIGHTING Tilt Fine	PR LIGHTING Tilt Fine XXX	
PR LIGHTING Edit User Memory	PR LIGHTING User Memory 2	PR LIGHTING Scene XX	PR LIGHTING M-Speed	PR LIGHTING M-Speed XXX	

			PR LIGHTING Delay	PR LIGHTING Delay X.XX Seconds
			PR LIGHTING Link To Step	PR LIGHTING Link To Step XX
PR LIGHTING Static Scene	PR LIGHTING Dimmer	PR LIGHTING Dimmer XXX		
	PR LIGHTING Color Temp.	PR LIGHTING Color Temp. XXX		
	PR LIGHTING RGB Macros	PR LIGHTING RGB Macros XXX		
	PR LIGHTING Red	PR LIGHTING Red XXX		
	PR LIGHTING Green	PR LIGHTING Green XXX		
	PR LIGHTING Blue	PR LIGHTING Blue XXX		
	PR LIGHTING Strobe	PR LIGHTING Strobe XXX		
	PR LIGHTING Pan Coarse	PR LIGHTING Pan Coarse XXX		
	PR LIGHTING Pan Fine	PR LIGHTING Pan Fine XXX		
	PR LIGHTING Tilt Coarse	PR LIGHTING Tilt Coarse XXX		
	PR LIGHTING Tilt Fine	PR LIGHTING Tilt Fine XXX		
	PR LIGHTING M-Speed	PR LIGHTING M-Speed XXX		
PR LIGHTING Init User Memory	PR LIGHTING Reset User Memory 1	PR LIGHTING Reset User 1 Unlock 2 3 4 (Press buttons UP、DOWN and ENTER)		
	PR LIGHTING Reset User Memory 2	PR LIGHTING Reset User 2 Unlock 2 3 4		
	PR LIGHTING Reset Static Scene	PR LIGHTING Reset Static Scn Unlock 2 3 4		

## DMX PROTOCOL

Short mode	Standard mode	Extended mode	FUNCTION	DMX	DESCRIPTION
1	1	1	Dimmer	000-255	Dimming from dark to light
		2	Dimmer 16 Bit	000-255	Dimmer in 16 Bit precision
	2	3	Colour Temperature	000-255	Colour temperature adjustment
	3	4	Macro Channel	000-016	The projector functions and controlled by RGB channels
				017-024	White (Colour Temperature 10000K)
				025-032	White (Colour Temperature 7200K)
				033-040	White (Colour Temperature 5600K)
				041-048	White (Colour Temperature 3200K)
				049-056	Cyan
				057-064	Yellow
				065-072	Magenta
				073-080	Red
				081-088	Green
				089-096	Blue
				097-104	Aqua
				105-112	Amber
				113-120	Orange
	121-128	Pink			
	129-255	RGB Color Cycle			
2	4	5	RED	000-255	Red, dimming from dark to light
		6	RED 16Bit	000-255	Red in 16 Bit precision
3	5	7	GREEN	000-255	Green, dimming from dark to light
		8	GREEN 16Bit	000-255	Green in 16 Bit precision
4	6	9	BLUE	000-255	Blue, dimming from dark to light
		10	BLUE 16Bit	000-255	Blue in 16 Bit precision
5	7	11	Strobe	000-009	No strobe
				010-255	Strobe speed from slow to fast
6	8	12	Pan	000-255	Pan rotation from 0° to 540°
7	9	13	Pan Fine (16Bit)	000-255	Pan rotation in 16 precision
7	10	14	Tilt	000-255	Tilt rotation from 0° to 270°
	11	15	Tilt Fine (16Bit)	000-255	Tilt rotation in 16 precision
	12	16	Pan & Tilt Speed	000-255	Pan & Tilt speed from fast to slow
8	13	17	Control	000-047	Reserved
				048-080	Reset
				081-255	Reserved

## LED INDICATION

Green	On	DMX signal OK
	Off	No DMX signal
	Flash	DMX signal error
Yellow	On	Setting the panel
Blue	On	Power
Red/Green	Red	Slave mode or Running self test mode
	Green	Master mode

## MAINTENANCE

To prolong the life of the projector, some maintenance work has to be done to ensure the LED optical system in good condition. If the projector does not function, check the fuses on the power socket of the projector, they should only be replaced by fuses of the same specification. Should these be damaged, call a qualified technician before replacement. The projector has thermal protection device that will switch off the projector in case of overheating. Should either of these operate, check that the fans are not blocked, and if they are dirty, clean them before switching on the projector again. Check that the fans are operational, if not, call a qualified technician.

**Any maintenance work should only be carried out by qualified technicians.**

## KEEPING THE PROJECTOR CLEAN

To ensure the reliability of the projector, it should be kept clean. It is recommended that the fans should be cleaned every 15 days. LED lens should also be regularly cleaned to maintain an optimum light output.

Cleaning frequency depends on the environment in which the fixture operates: damp, smoke or particularly dirty surroundings can cause greater accumulation of dirt on the unit's optics. A soft cloth and typical glass cleaning products should be used for cleaning. It is recommended to clean the external optics at least once every 20 days.

**Do not use any organic solvent, e.g. alcohol, to clean housing of the apparatus.**

## TROUBLESHOOTING

PROBLEM	ACTION
The projector doesn't switch on	➤ Check the fuse on the power socket.
The lamp comes on but the projector doesn't respond to the controller	<ul style="list-style-type: none"> <li>➤ Make sure that the projector is correctly configured.</li> <li>➤ Replace or repair the DMX cable.</li> </ul>
The beam appears dim	➤ Check that the optics is clean.

## TECHNICAL DATA

### VOLTAGES:

100V/120V/200V/220V /230V/240V AC, 50/60Hz

### POWER CONSUMPTION:

480W@220V

### LED:

Type	OSRAM Diamond Dragon
Power consumption	5W
Amount	90 (30R+30G+30B)
Manufacturers Rated LED Life	50000 Hours

### COLOURS:

RGB colour mixing

### COLOUR TEMPERATURE CORRECTION:

Linearly colour temperature correction

### DIMMER:

0-100% linearly adjustable

### STROBE:

1~25 F.P.S

### HEAD MOVEMENT:

Pan 540°, Tilt 270° with auto position correction

### BEAM ANGLE:

Projector beam angle	26°
Options	10°, 35°

*Note: Projector specifications are subject to change according to different projector beam angles.*

### CONTROL:

DMX512, 5 pin interfaces  
RDM control protocol  
8 channels in short mode, 13 channels in standard mode, and 17 channels in extended mode  
Master/Slave mode  
Static scene mode  
Stand-alone mode  
Self-test mode

### OTHER FUNCTIONS:

Adjustable Pan & Tilt speed

- Automatic fan speed adjustment
- Auto thermal cut-off
- Display Dimming and Contrast adjustment
- LEDs and fixture usage time display
- DMX 512 channels display
- Menu display inversion

**HOUSING:**

Composite plastic+ die-casting aluminum, IP20

**WORK ENVIRONMENT TEMPERATURE:**

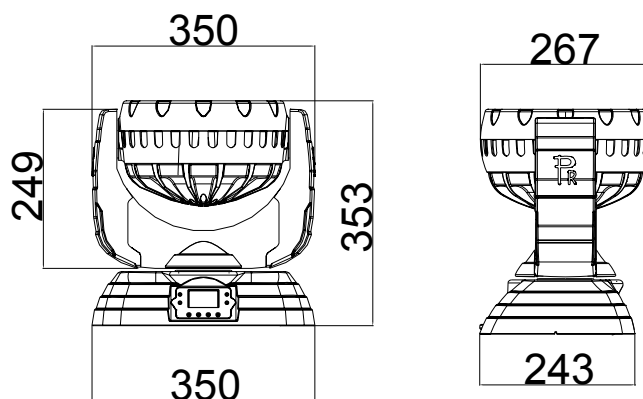
-20°C~40°C

**WEIGHT:**

11kg

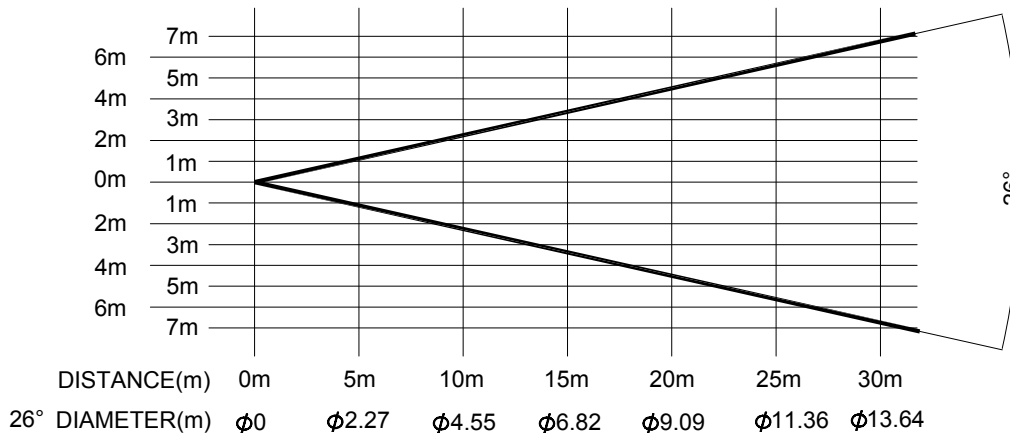
**SIZES:**

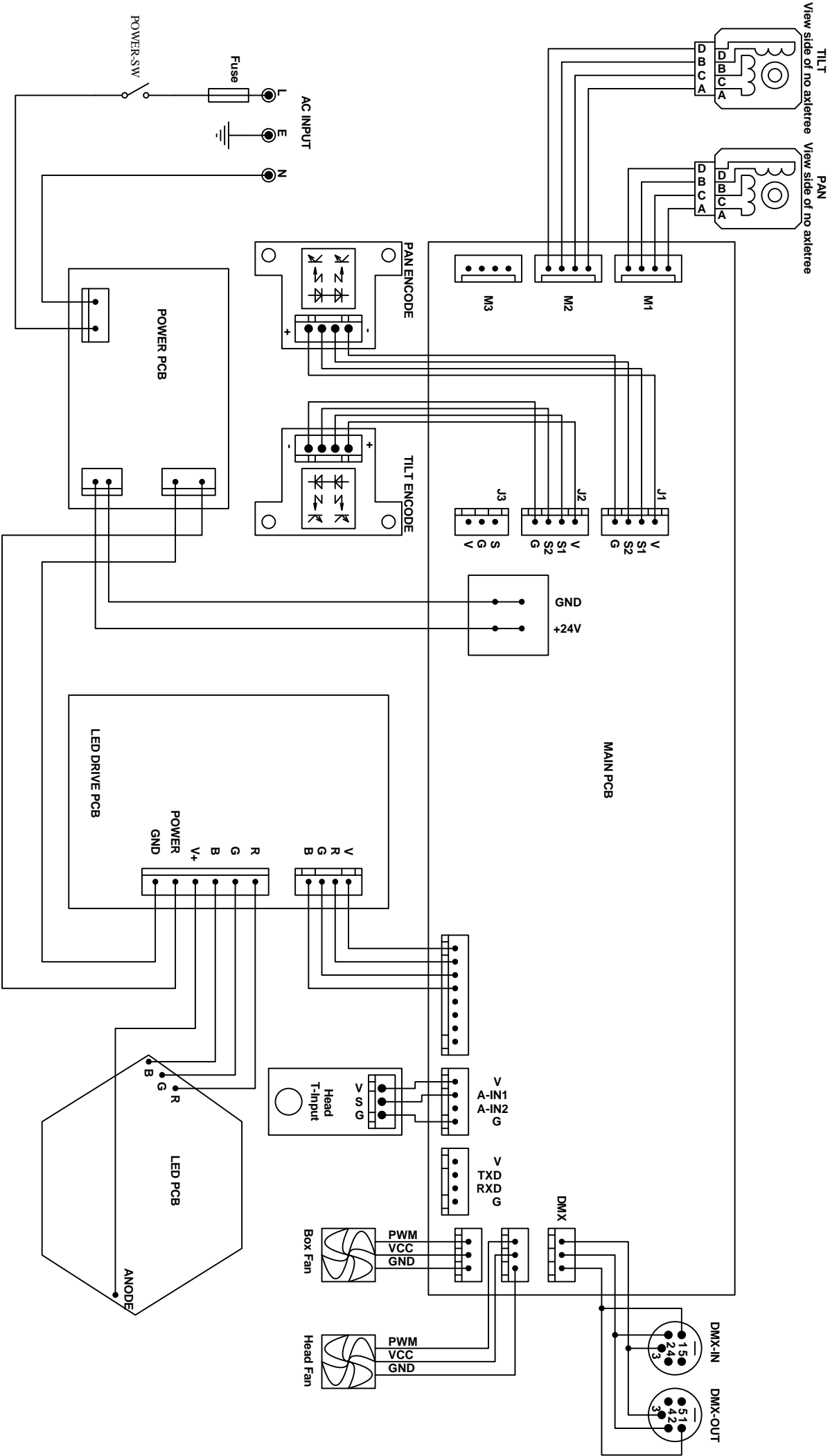
See it below



**LIGHT OUTPUT:**

26° lux (R、G、B)	6079	1520	675	380	243	169
26° lux (R)	1030	257	114	64	41	29
26° lux (G)	3301	825	367	206	132	92
26° lux (B)	2515	629	279	157	101	70





PR-8100-006



## COMPONENT ORDER CODES

NAME	PART NO.	QUANTITY	REMARK
PAN ROTATION MOTOR	030040052	1	23HS0015L
TILT ROTATION MOTOR		1	
FAN IN BASE	030060060	1	DC24V, 0.14A
FAN IN LAMP HEAD	030060061	1	DC24V, 0.22A
LENS	070070006	90	
LED	150020201	30	Red
LED	150020202	30	Green
LED	150020204	30	Dark blue
POWER SWITCH	190010104	1	AC250V,10A
POWER SUPPLY	192010130	1	DC24V/2A
LED CONTROL PCB	230020400	1	
LED DRIVE PCB	230020402	1	
FUSE	270041006	1	5X20,10A
PAN DRIVE BELT	290151256	1	HTD330-3M
TILT DRIVE BELT	290151223	1	HTD426-3M-8

## PR LIGHTING LTD.

---

PR New Hi-tech Science Park, 1582 Xingye Avenue  
Nancun Panyu, Guangzhou, 511442 China  
TEL: +86-20-3995 2888  
FAX: +86-20-3995 2330

---

P/N: 320050005  
Last Revision: 20090324