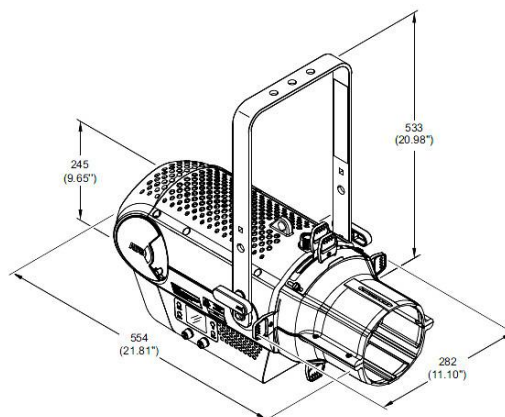


MODEL: ACTORIS PROFILE FC

CODE: AL2015

August 5, 2024



#### LIGHT SOURCE:

- Source type:** • LED (Red + Green + Blue + Amber + Lime + Royal Blue)
- Power:** • 370 W
- Color temperature:** • 2500 to 10.000 K – with perfect Plank-curve CCT
- CRI:** • ≤97
- LED life expectancy:** • 50.000 L70\*
- \* It may vary depending on various factors, such as the type of use and environment

#### PHOTOMETRIC DATA:

- Zoom range:** • 15 – 30°  
• 25 – 50°
- Fixed lenses:** • 5° / 10° / 14° / 19° / 26° / 36° / 50°
- Lm output:** • Up to 12.750 Lm (integrating sphere)
- Optical syt.:** • CP interchangeable lens

#### NOISE LEVEL:

- Autofan mod.:** • Variable output
- Fixed presets:** • 25 / 27 / 30 / 35 dBA
- Fanless mode:** • With reduced output

#### CONTROL & CONNECTIONS:

- Personalities:** • 4 modes + 1 stand alone  
• 4/6/15/31 DMX control parameters
- Protocols:** • DMX, Art-Net, sACN, RDM
- Connectors:** • Locking 5 pin XLR IN/OUT  
• RJ45 IN/OUT
- Power con.:** • PowerCon True1 IN/OUT
- Web server:** • Built-in
- CloudIO:** • Fully compatible  
• On-field calibration for color consistency

#### DYNAMIC EFFECTS:

- Colors:** • Colors control mode RGBAL + ROYAL BLUE
- Tungsten mode, to replicate the behavior of a tungsten lamp during dimming from 0 to 100% and vice versa
- Tint correction: ± green/magenta adjustments
- Flicker-free, thanks to PWM frequency adjustment
- Color control with Advanced, Standard, White and Single-Channel modes
- Color temperature adjustment
- Wide color gamut and extended spectrum, including deep blue and deep red
- Combined fixture calibration ensures colors consistency despite changes in temperature and over time
- Wavelength binning selection and 100% fixture calibration ensures color repeatability fixture-to-fixture

- Gobos:**
- 1 slot for customizable fixed gobo
  - Ext. diam. 86 mm
  - Image diam. 65,5 mm
  - Thickness 1,2 mm
- Framing:**
- 4 blades manual framing system
- Dimmer:**
- High resolution electronic dimmer - 24 bit, 5 curves
- Shutter / Strobe:**
- Up to 25 f./sec.
  -

## HARDWARE & SOFTWARE:

- Long life self-charging battery
- Display graphic LCD backlit B/W display
- Firmware upload from another fixture
- Firmware upgrade via Web Server
- Diagnostic
- DMX monitoring
- Remote access through RDM

## HOUSING:

- Aluminum and steel structure with plastic covers
- One back-side handle
- IP20 rated
- Built in bracket
- Optional safety chain
- Working in any position

## ELECTRICAL:

- Operating voltage:**
- 100-120 / 200-240V, 50/60Hz
- Power Supply:**
- Electronic auto range with active PFC
- MAX Power consumption:**
- 420W

## THERMAL SPECIFICATION:

- MAX Ambient temperature:**
- 45°C (113°F)
- Min Ambient Temperature:**
- -20°C (-4°F)
- MAX temp. of the ext. surface:**
- 47°C (116,6 °F)
- Total heat dissipation:**
- 1400 BTU/hr ±10% / 1476 kJ/hr ±10%

## SAFETY SPECIFICATIONS:

- Min. dist. of illum. objs:**
- 0,5 m (1'8")
- Min. dist. from flamm. mat.:**
- 0,2 m (8")
- Protections:**
- Forced ventilation with axial fans
  - T6.3A fuse

## COMPLIANCE:

### CE Marking (in conformity to the following):

- 2014/35/EU – Low Voltage directive (LVD)
- 2014/30/EU – Electromagnetic compatibility of equipment (EMC)
- 2011/65/EU - Restriction of the use of certain hazardous substances (RoHS)
- 2009/125/EC - EcoDesign requirements for Energy-related Products (ErP)

### UKCA conforms to UK regulations:

- S.I. 2016 N.1101
- S.I. 2016 N.1091
- S.I. 2012 N.3032
- S.I. 2021 N.745

### cMETus LISTED:

- UL1573
- CSA C22.2 N.166:2015

## PACKAGING:

- Carton box + Polystyrene

## WEIGHT & SIZES:

- Weight:**
- 8,34 Kg
  - 18,4 lbs
- Dimensions:**
- 282 x 554 x 245 mm
  - 11,1 x 21,8 x 9,65 in

## ACCESSORIES:

- Gobo holder:**
- AA2036000102 (Optional) – Kg: 0,15
- Frost fil. hold.:**
- AA2038000102 (Optional) – Kg: 0,4
- Iris holder:**
- AA2037000102 (Optional) – Kg: 0,3125
- Adjustable zoom lens:**
- 15° – 30°: AA2029000102 – Kg: 5,8
  - 25° – 50°: AA2030000102 – Kg: 4,4
- Color filter holder: (Optional)**
- D5: AA2031000102 – Kg: 0,4
  - D10: AA2032000102 – Kg: 0,3
  - D14: AA2033000102 – Kg: 0,05
  - D19: AA2034000102 – Kg: 0,4
- ETL Power:**
- CAB02B-802 (Included)
  - \* Cord 1.5 m (bare end with IP65 PowerConTrue1 conn.)
- Fixed lens: (Optional)**
- 5°: AA2022000102 – Kg: 5
  - 10°: AA2023000102 – Kg: 5
  - 14°: AA2024000102 – Kg: 5
  - 19°: AA2025000102 – Kg: 1,77
  - 26°: AA2026000102 – Kg: 1,75
  - 36°: AA2027000102 – Kg: 1,77
  - 50°: AA2028000102 – Kg: 1,75
- Clamp:**
- C21070 (Optional)
- Safety Chain:**
- 105041-001 (Optional)