

SPECIFICATIONS

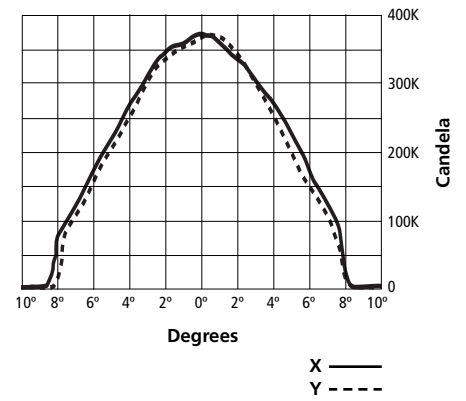
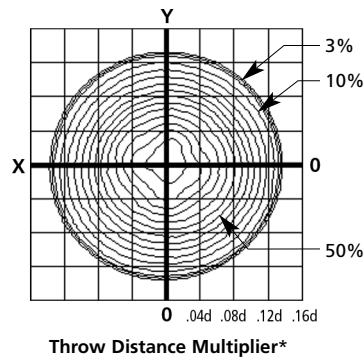
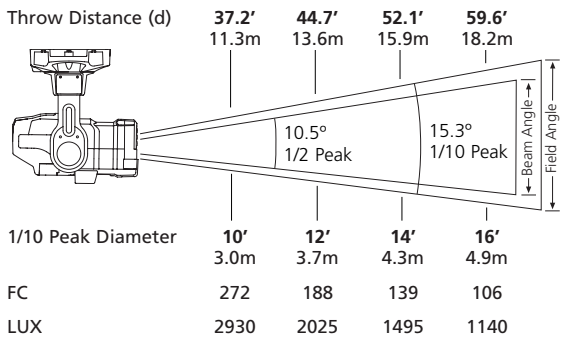
Automated ellipsoidal lighting fixture

PHYSICAL	Die cast aluminum construction Rugged plastic covers for field-serviceable areas CE marked and ETL tested to UL 1573 standards High strength yoke for hanging in any orientation
STANDARD FEATURES	Integral ultra-quiet Pulse Width Modulated (PWM) 0-77V Dimmer 540° Pan / 270° Tilt 15°-35° Zoom QuietDrive™ low-noise motor control technology (Patent Pending) Advanced cooling design for ultra-quiet operation Integral 24-frame capacity color scroller With quick-change gel cartridge Ships with 12-color ETC standard gel string Accessory slot with retainer Internal Media Frame For insertion of diffusion or color media into beam Soft to crisp focus for gobos Two module bays for the addition of optional features Bays allow the tool-free installation of additional features Fixture power not required for addressing Allows access to test functions Pan and tilt locks for handling convenience
ELECTRICAL AND DATA	90V-264V, 50/60Hz, 950W peak power consumption Flicker-free electronic UPS and internal dimmer are auto-ranging for world-wide use. Power input via PowerCon™ connector. Efficient CAN-BUS protocol for simplified internal wiring harness Rotary switch address assignment RDM ready

LAMP	QXL™ 750W/77V Maximum QXL – Quick eXchange Lamp provides one-hand replacement in seconds and disconnects lamp power automatically (Patent Pending) Ultra compact tungsten filament geometry contained in a Krypton/Xenon quartz envelope Both 300 hr. high-output and 1500 hr. long-life lamps available from at least two manufacturers
OPTICAL	Dual aspheric zoom lens system with deposition anti-reflective coating Faceted borosilicate reflector with multi-layer dichroic coating 95% of visible light reflected through the optical train 90% of infrared radiation (I/R heat) removed from projected light beam Reflector secured with anti-vibration shock mounts Lenses easily accessible for cleaning Tool-free, one-hand lamp centering (X/Y) and peak/flat (Z) adjustment knobs
OPTIONAL MODULES	Auto-sensing plug-and-play modules for additional features. Iris Module – for beam size control down to 2.5° Shutter Module – 4 blades with 90° rotation for full-function framing Static Wheel Module – 3 positions plus open Rotating Wheel Module – 3 positions plus open Indexes with 16-bit accuracy Note: Static Wheel and Rotating Wheel modules accept M-sized steel or glass gobos and filters

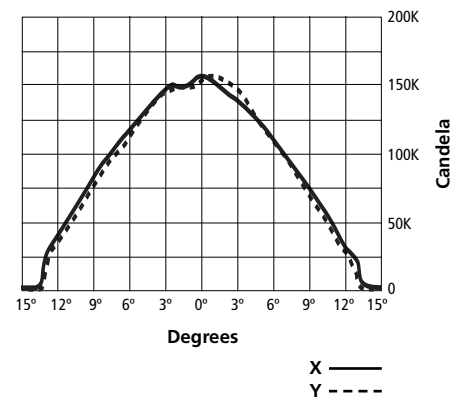
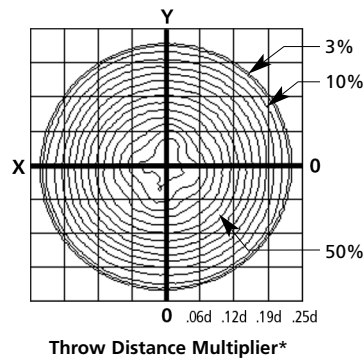
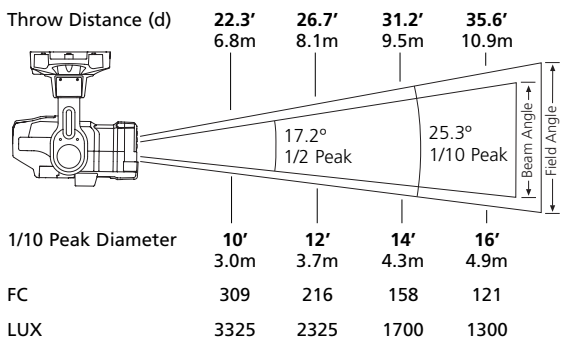
PHOTOMETRIC DATA

Minimum Spread



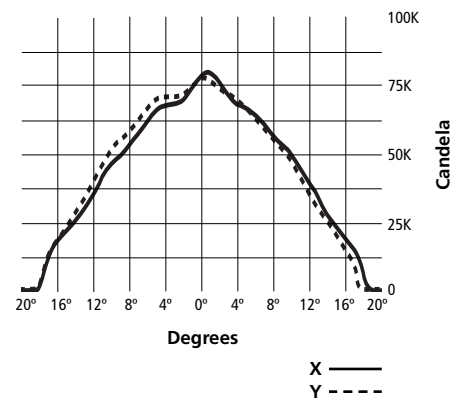
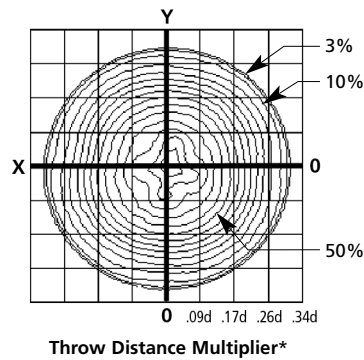
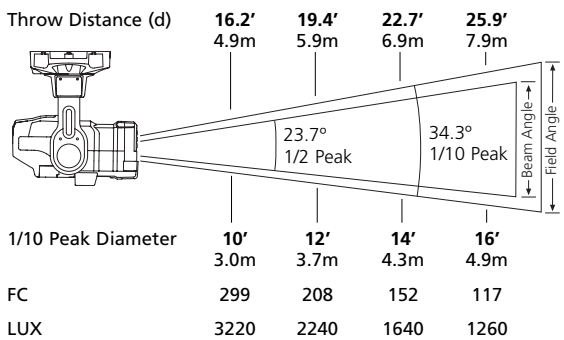
Degree	Candlepower	1/10 Peak Lumens	1/2 Peak Lumens	1/10 Peak Efficiency	LPW
15°	376,520	10,830	7,060	47.19%	14.4

Median Spread



Degree	Candlepower	1/10 Peak Lumens	1/2 Peak Lumens	1/10 Peak Efficiency	LPW
25°	153,730	11,760	7,425	51.24%	15.7

Maximum Spread

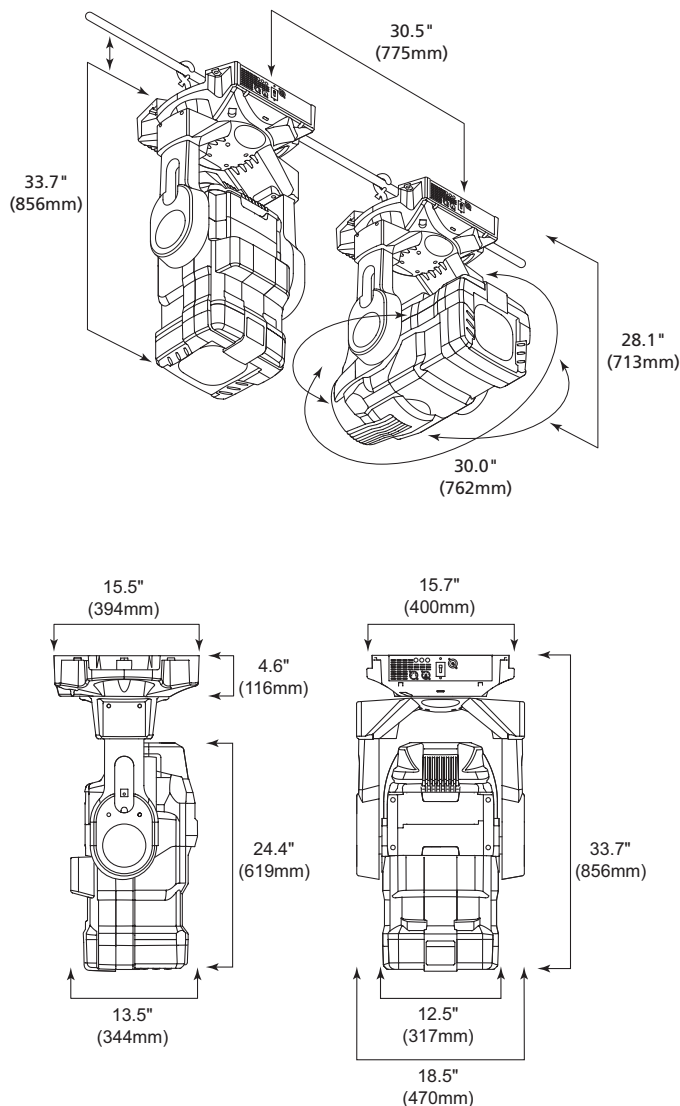


Degree	Candlepower	1/10 Peak Lumens	1/2 Peak Lumens	1/10 Peak Efficiency	LPW
35°	78,410	10,950	6,925	47.71%	14.6

All photometric data in this document was prepared using standard production fixtures, and the Prometric™ CCD measurement system. Fixtures were adjusted for blending (cosine) distribution, and were tested with a calibrated lamp at its rated voltage. All data were normalized to nominal lamp lumens. To determine illumination in footcandles or lux at any throw distance, divide candlepower by distance squared.

* (distance from origin) = (throw distance) x (throw distance multiplier)

PHYSICAL



WEIGHTS

Source Four Revolution Weights

Model	Base Fixture Weight		Shipping Weight	
	lbs	kgs	lbs	kgs
S4R	74	33.6	80	36.5

* Individual Module weights below.
Add to Base Fixture Weight for total weight of configured Revolution unit.

Source Four Revolution Modules Weights

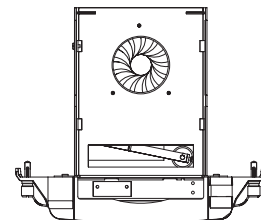
Model	Weight		Shipping Weight	
	lbs	kgs	lbs	kgs
BM	1.8	.85	4	1.9
IM	3	1.4	4	1.9
SWM	3	1.4	4	1.9
RWM	3.7	1.7	5	2.3
SM	10.4	4.7	12	5.5

MODULES

The base Revolution unit is equipped with two module bays. The fixture holds one or two of the following modules in any combination. Modules insert without need for tools, disassembly or other luminaire modification.

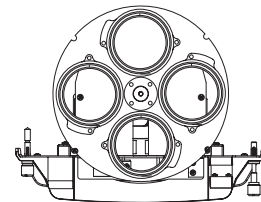
IRIS MODULE

18-leaf iris
Smooth operation
Simple, repeatable round beam-size control
2.5° minimum beam size (10.5 inches diameter at 20 feet)
On-board auto-sensing electronics



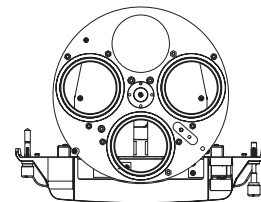
STATIC WHEEL MODULE

Three slots, plus open
Glass or steel gobos
Dichroic color filters
M-sized gobos or filters
On-board auto-sensing electronics



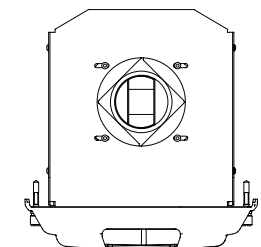
ROTATING WHEEL MODULE

Rotating, counter-rotating and indexable gobos
Steel and glass gobos accepted
M-sized gobos
On-board auto-sensing electronics



SHUTTER MODULE

Four independent shutters on multiple planes
Flexible beam shaping
All shutters have 90-degree (+/- 45°) rotation
On-board auto-sensing electronics



Source Four® Revolution®

S4R Series

DMX CHANNEL ASSIGNMENTS

DMX Channel	Function	Emphasis Attribute Name
1	Intensity	INT
2	Pan	PAN
3	Pan 2	
4	Tilt	TILT
5	Tilt 2	
6	Internal Media Frame	FROST
7	Focus	FOCUS
8	Zoom	ZOOM
9	Focus Timing	FocSpd
10	Color Timing	CSPD 1
11	Beam Timing	GSPD 1
12	Reset	MFUN
13	Gel 1	Clr1
14	Gel 2 (for future use)	Clr2
15	Bay 1 – Iris	Lens
16	Bay 1 – Wheel Position	Gobo 1
17	Bay 1 – Rotating Wheel Function	GROT1
18	Bay 1 – Rotating Wheel Index/Rotation-Coarse	GFUN1
19	Bay 1 – Rotating Wheel Index/Rotation-Fine	
20	Bay 2 – Wheel Position	Gobo 2
21	Bay 2 – Rotating Wheel Function	GROT2
22	Bay 2 – Rotating Wheel Index/Rotation-Coarse	GFUN2
23	Bay 2 – Rotating Wheel Index/Rotation-Fine	
24	Blade 1 – In/out	Fram1A
25	Blade 1 – Rotate	Fram1B
26	Blade 2 – In/out	Fram2A
27	Blade 2 – Rotate	Fram2B
28	Blade 3 – In/out	Fram3A
29	Blade 3 – Rotate	Fram3B
30	Blade 4 – In/out	Fram4A
31	Blade 4 – Rotate	Fram4B

ETC 12-COLOR STANDARD GEL STRING

Frame	Color Number	Color Name
0	Clear	
1	Roscolux 02	Bastard Amber
2	Roscolux 05	Rose Tint
3	Roscolux 09	Pale Amber Gold
4	Roscolux 54	Special Lavender
5	Roscolux 357	Royal Lavender
6	Roscolux 36	Medium Pink
7	Roscolux 25	Orange Red
8	Lee 203	1/4 C.T. Blue
9	Lee 201	Full C.T. Blue
10	Roscolux 68	Sky Blue
11	Roscolux 88	Light Green
12	Lee 115	Peacock Blue

The Internal Media Frame is shipped with RoscoLux 119

ORDERING INFORMATION

Source Four Revolution

Model#	Description
S4R	Source Four Revolution automated ellipsoidal (black) ETC Source Four Revolutions are shipped with 12-color ETC standard gel string, two blank modules with integral M-sized gobo holder, User Manual, Safety Cable, 'Tether Eyebolt Kit, and 3' PowerCon™ to bare-end pigtail *This small eyebolt kit is for installation by end-user if required to attach a safety cable to front of fixture for scroller cartridge and accessories.

Connector Options

As above, except with optional connector as described	
S4R-A	3' PowerCon™ to parallel blade U-ground connector pigtail
S4R-B	3' PowerCon™ to two-pin and ground 20-amp pigtail (stage pin)
S4R-C	3' PowerCon™ to Grounded 20-amp Twist-Lock® pigtail

Lamps

Lamp Code	Watts	Volts	Lumens	Color Temp.	Average Rated Life	Application
QXL750/77	750	77	22,950	3250	300 hrs.	High Output
QXL750/77X	750	77	18,000	3050	1500 hrs.	Long Life

Modules

Note: Modules are sold separately from fixture. Wheel Modules ship without gobos. Standard M-sized gobos are available from various vendors.	
IM	Iris Module
SWM	Static Wheel Module
RWM	Rotating Wheel Module
SM	Shutter Module

Accessories

PA-X	PowerCon™ to bare-end pigtail
PA-A	PowerCon™ to parallel blade U-ground connector pigtail
PA-B	PowerCon™ to two-pin and ground 20-amp pigtail (stage pin)
PA-C	PowerCon™ to Grounded 20-amp Twist-Lock® pigtail
BM	Blank Module
CSC	Color Scroller Cartridge (Does not include gel string)
SGS12	Standard Gel String-12 color
RPC	Snap Clamp – hanging clamp for 2" pipe. Two per fixture required.
RFC	Flight Case – One fixture case with lid on casters
RFCI	Flight Case Insert – Adds 2nd fixture capacity to RFC

Other standard ETC products including safety cable, C-clamps, top hats may also be used with Source Four Revolution.



Americas 3031 Pleasant View Rd, PO Box 620979, Middleton WI 53562 0979, USA ■ Tel +1 608 831 4116 ■ Fax +1 608 836 1736 ■ Toll free 800 688 4116 ■ Toll free fax 800 555 8912

Europe Unit 5, Victoria Industrial Estate, Victoria Road, London W3 6UU, UK ■ Tel +44 (0)20 8896 1000 ■ Fax +44 (0)20 8896 2000

Asia Room 605-606, Tower III Enterprise Square, 9 Sheung Yuet Road, Kowloon Bay, Kowloon, Hong Kong ■ Tel +852 2799 1220 ■ Fax +852 2799 9325

Web www.etcconnect.com ■ **Email** (US) mail@etcconnect.com ■ (UK) mail@etcconnect.com ■ (Asia) mail@etcconnect.com

Source Four® products protected by U.S. Patent Numbers 5,268,613, 5,345,371, 5,544,029, 5,446,637 and 5,775,799; Japanese Patent Number 2,501,772; US and International Patents Pending. Copyright © 2004 ETC. All Rights Reserved. All product information and specifications subject to change. *160L1002 Rev. C Printed in USA 07/04