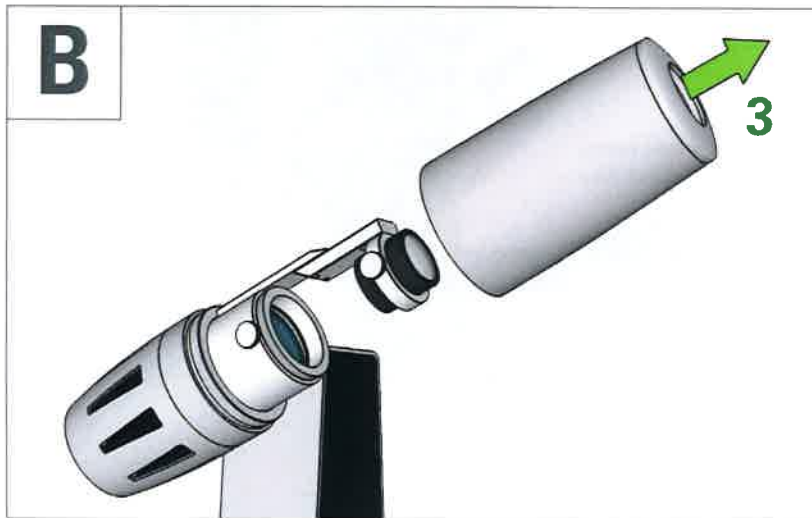
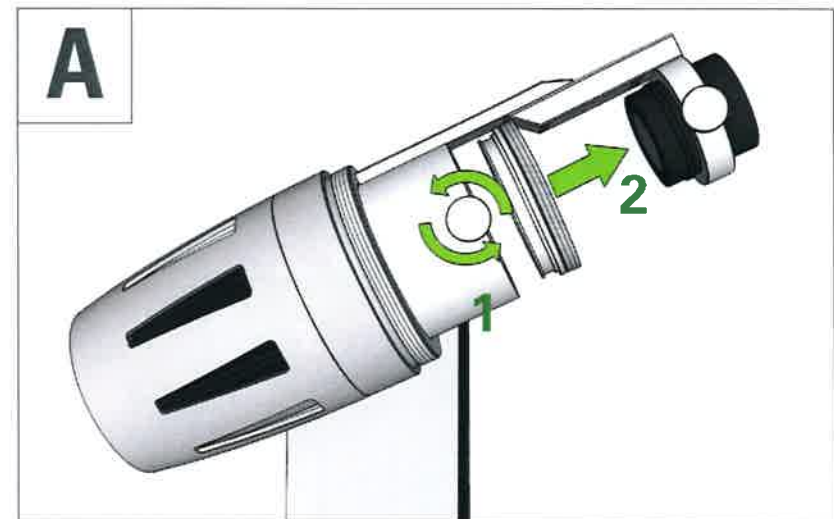


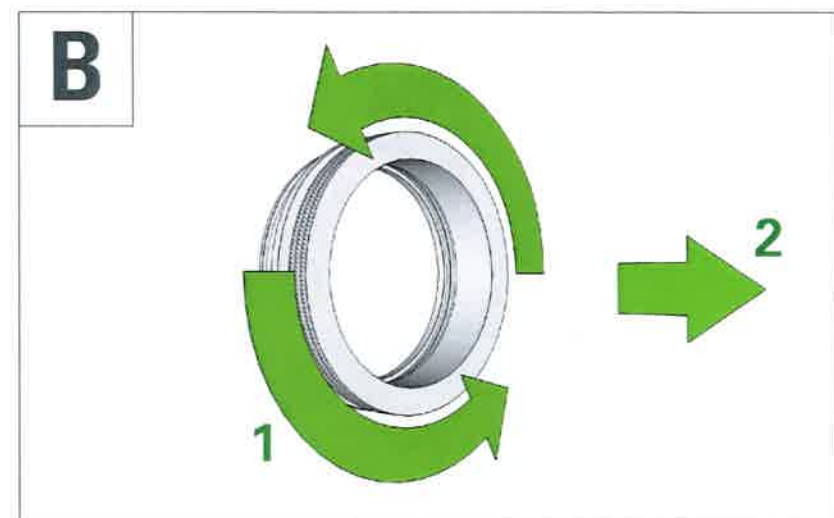
REMOVING THE TUBE



REPLACING THE MOTIF

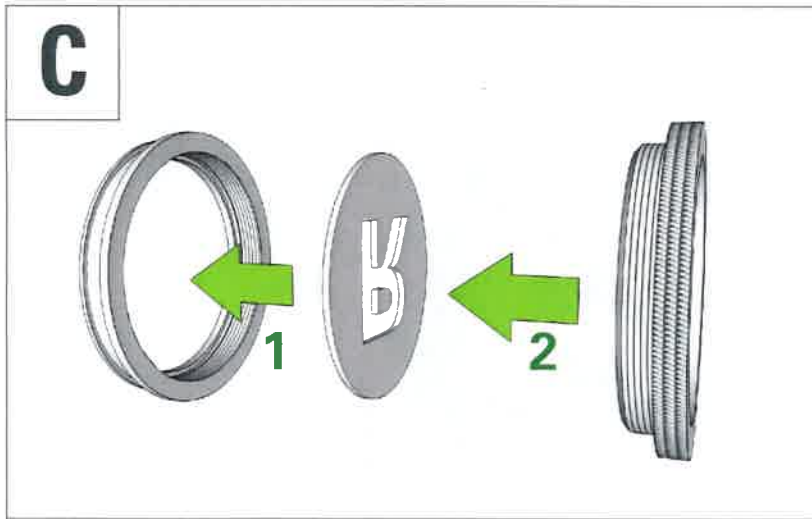


remove the gobo holder

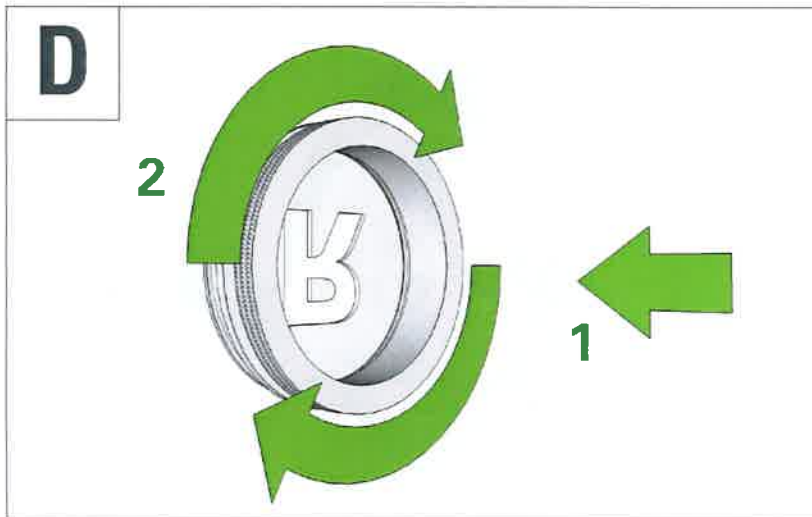


open the gobo holder

REPLACING THE MOTIF



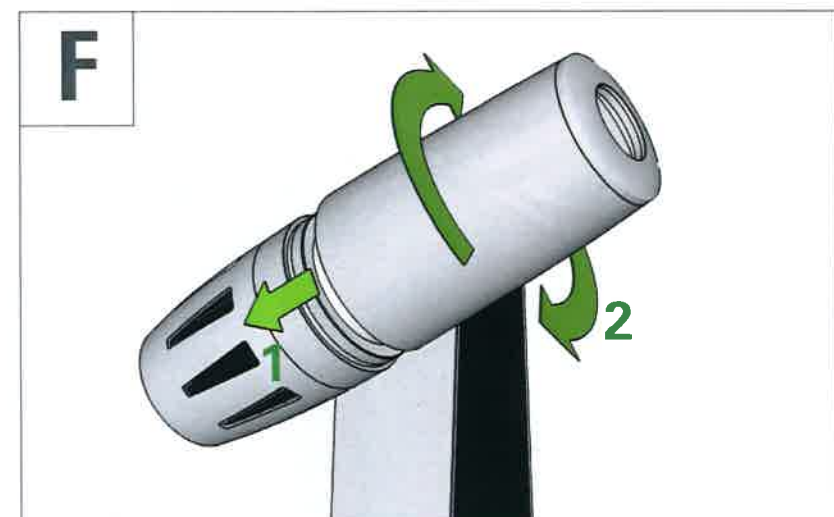
insert a gobo (motif)



close the gobo holder



insert the gobo holder

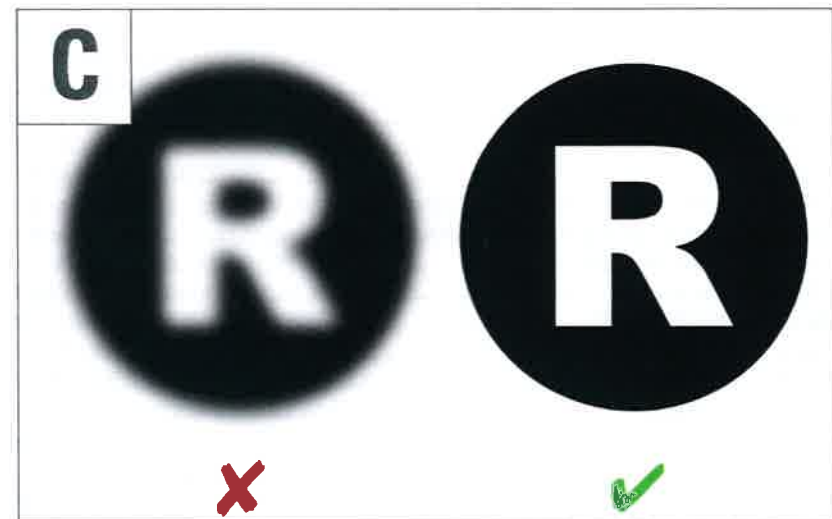


attach the tube to the projector

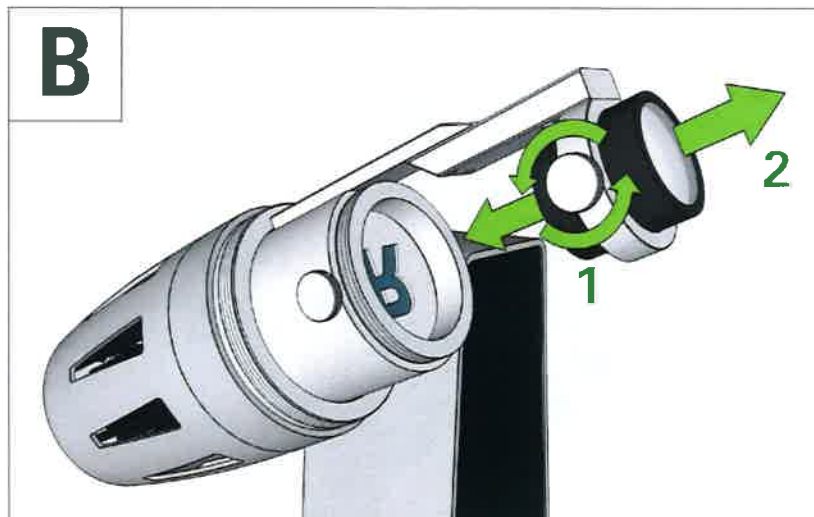
FOCUSSING THE PROJECTED IMAGE



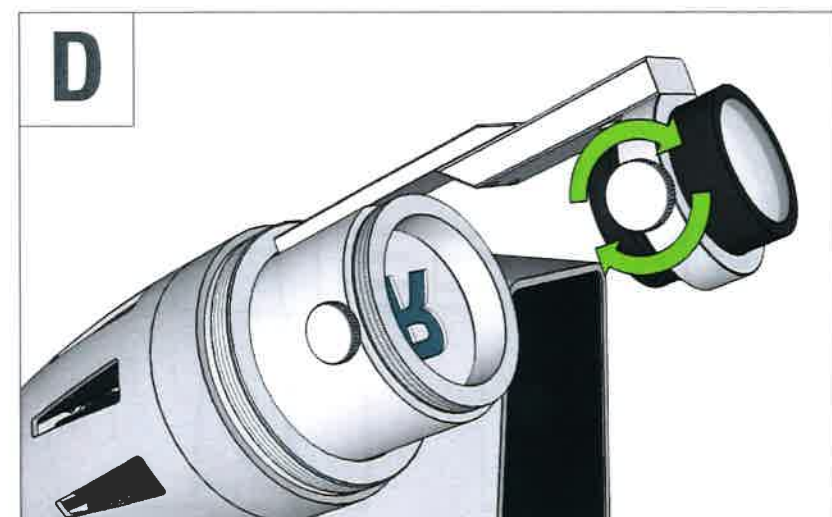
switch the projector on



focus the image!



loosen the knurled screw to move the lens



fasten the lens with the knurled screw